

Technical Information Sheet

Part No. 176013

Slim 12/24 volt LED roof lamp, 36 bright white LEDs, surface mounting, in white plastic. Protected to IP 66. CE approved.

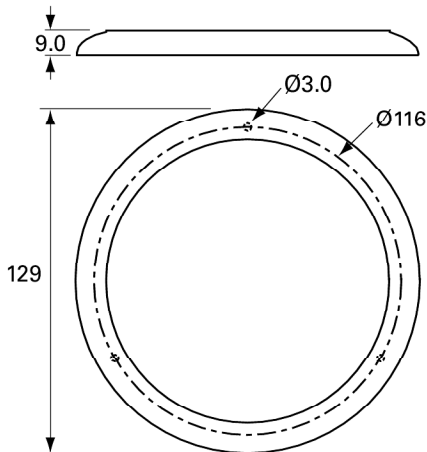
Additional information

Red wire 12v +ve
Black wire -ve ground

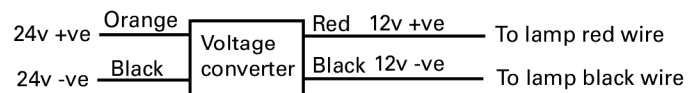
For 24v application, connect the voltage converter (included with product). Orange wire 24v +ve.



Technical Drawing (not to scale)



Wiring Diagram



Specification

Type	LED roof lamp
Voltage	12/24 volt dc
Current (12v)	0.41 amp
LED	36 white
Illumination	650 lux at 30cm
Housing	Polycarbonate
Lens	Polycarbonate
Protection	IP66
Weight	160g
Dimensions	Ø129 x h 9.0mm
Compliance	CE, RoHS